

Standard Thermocouple Connector Plug

Features

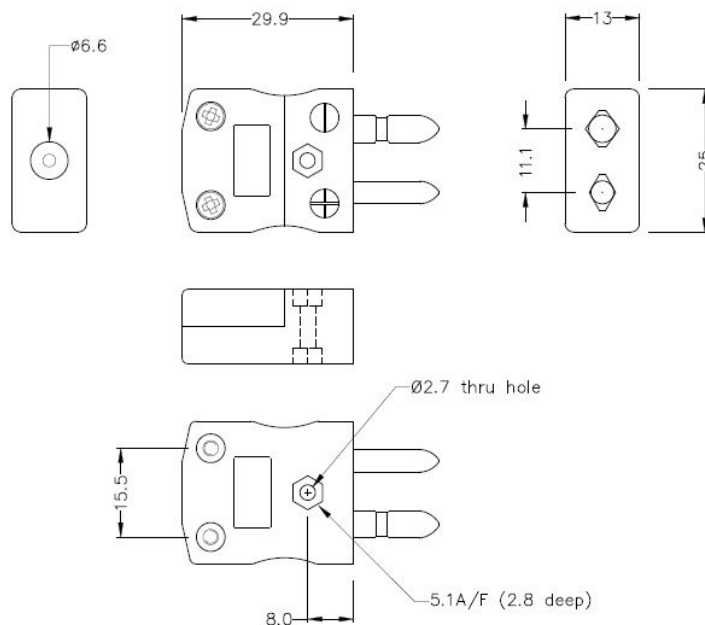
- Contacts are made from true Thermocouple alloys
- Suitable for industrial applications
- Built with high-quality materials, this connector is engineered to withstand the challenges of industrial environments



Specification

Sensor Type	T
Connector Size	Standard
Connector Type	Plug
Colour	Brown
Max. Temperature	220 °C
Pins	Solid Round Pins
+Positive Contact	Fe
-Negative Contact	CuNi
Standards Met	BS EN 50212:1997; RoHS

Drawing



Standard in-line Plug
(dimensions in mm)

Art. Nr.
RND 410-00218